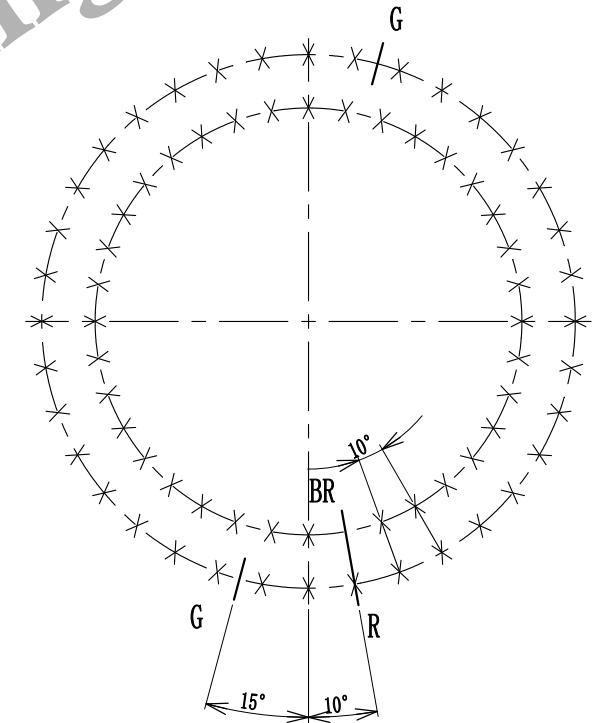
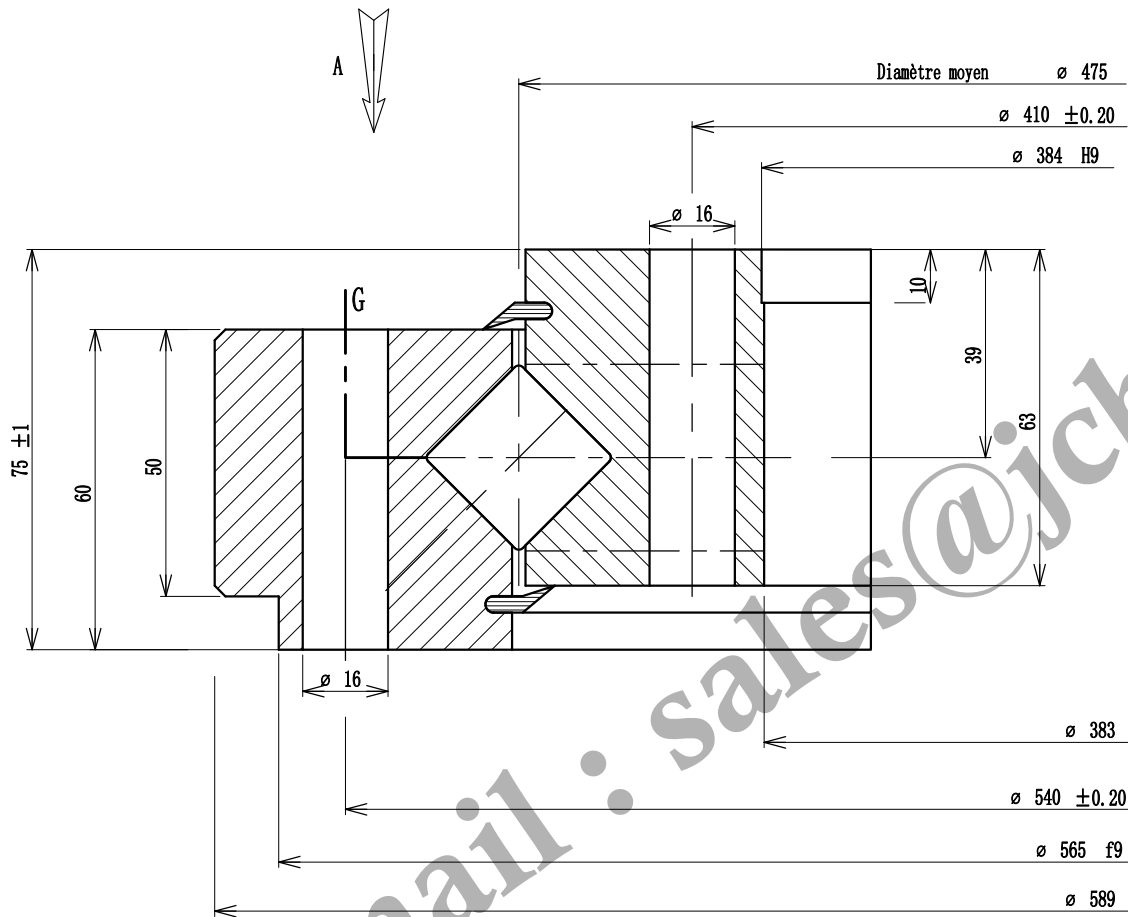




Implantation suivant A  
 Implantation according to A  
 Ansicht nach A



Sales Email: sales@jcb-bearing.com

Denture - Gear - Verzahnung		Tolérances générales suivant IT-ETR-061 General tolerances according to IT-ETR-061 Allgemeine toleranzen nach IT-ETR-061				Masse estimée <u>65</u> kg Gewicht ca <u>65</u> lbs Estimated weight		N° <u>08-0475-08</u>			
Module <u>          </u> Diametral pitch <u>          </u> Nr. of teeth - Zahnezahl <u>          </u> Diamètre primitif <u>          </u> Pitch diameter - Teilkreissdurchmesser <u>          </u> Départ 2 m d <u>          </u> Add. mod. 2 m d - Profilsverschiebung 2 m d <u>          </u> Cote sur <u>          </u> dents <u>          </u> Measurement on teeth <u>          </u> Zahnmessweite bei Zähnen <u>          </u> Faux rond au diamètre primitif - Run out on P.D. Rundlauffehler am Teilkreis <u>          </u>		Angle de pression <u>          </u> Pressure angle <u>          </u> Eingriffswinkel <u>          </u> Troncature <u>          </u> Kopfkürzung <u>          </u>		X (R.E. 36) Trous de fixation <u>          </u> (O.R. 36) Mounting holes <u>          </u> (A.R. 36) Befestigungsböhrungen <u>          </u> (B.I. 36-1) Trous de fixation <u>          </u> (I.R. 36-1) Mounting holes <u>          </u> (I.R. 36-1) Befestigungsböhrungen <u>          </u> G (R.E. 2) Trous de graisseurs <u>          </u> (O.E. 2) Grease holes <u>          </u> (A.R. 2) Schmierböhrungen <u>          </u> (B.I. 2) Trous de graisseurs <u>          </u> (I.R. 2) Grease holes <u>          </u> (I.R. 2) Schmierböhrungen <u>          </u>		Ø 16 <u>          </u> equid. eqnis. gl. Abst. Ø 16 <u>          </u> equid. eqnis. gl. Abst. M 10 x 1.00 <u>          </u> gl. Abst. equid. eqnis. gl. Abst.		Des. <u>          </u> Date. <u>          </u> Ver. <u>          </u> Date. <u>          </u> Ech. <u>          </u>		Indice <u>A</u>	
Non trempée <u>          </u> No hardened <u>          </u> Ungehärtet <u>          </u>		Trempée <u>          </u> Hardened <u>          </u> Gehärtet <u>          </u>		B Position approximative du bouchon et du raccord de trempé Filler plug and hardening connection of raceway ca Stopfen - und heerteschlupf - position				Luoyang JCB Bearing Technology Co., Ltd Add: No. 285, Fenghua road, Luoyang, Henan, China. Postal: 471000 Phone: +86-379-68611678 Fax: +86-379-68611679 E-mail: sales@jcb-bearing.com			